

INSTALLATION INSTRUCTIONS

AIR CURTAINS

Models:

FM-1209SA3/Y, FM-1212SA3/Y, FM-1215SA3/Y, FM-1218SA3/Y, FM-1220SA3/Y



Thanks for purchasing this Air Curtain.

PLEASE READ AND SAVE THESE INSTRUCTIONS.

WARNING – TO REDUCE THE RISK OF FIRE, ELECTRIC SHOCK, OR INJURY TO PERSONS, OBSERVE THE FOLLOWING:

- A. Always disconnect, lock and tag power source before installing or servicing. Failure to disconnect power source can result in fire, shock or serious injury.**
- B. Installation work and electrical wiring must be done by qualified person(s) in accordance with all applicable codes and standards, including fire-rated construction.**
- C. When cutting or drilling into wall or ceiling, do not damage electrical wiring and other hidden utilities.**
- D. To reduce the risk of fire or electric shock, do not use this fan with any solid-state speed control device**
- E. Repair and maintenance operations can only be performed by qualified personnel.**
- F. Verify and ensure the rated voltage and frequency (please refer to the rating label) of the air curtain is in compliance with the mains supply.**

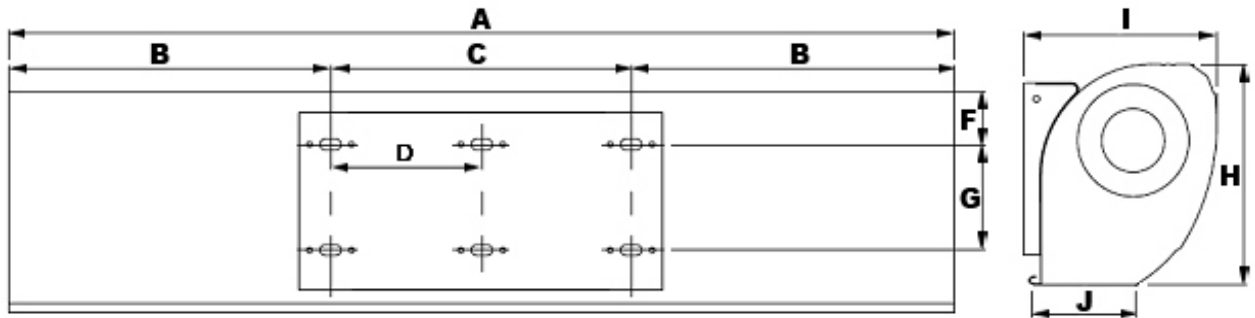
CONTENTS

1. PRODUCT INTRODUCTIONS	2
2. INSTALLATION DIMENSIONS	2
3. INSTALLATION CAUTIONS	3
4. INSTALLATION INSTRUCTIONS.....	4
5. TECHNICAL PARAMETER	6
6. WIRING DIAGRAM	6
7. OPERATING INSTRUCTIONS	6
8. MAINTENANCE AND CLEANING	7

1. PRODUCT INTRODUCTIONS

Air curtains are widely installed at the entrances of supermarket, theater, meeting room, hotel, office room, storeroom etc. They can reduce penetration of insects, dust...unconditioned air into a conditioned space by forcing an air stream over the entire entrance to create a comfortable environment for you.

2. INSTALLATION DIMENSIONS



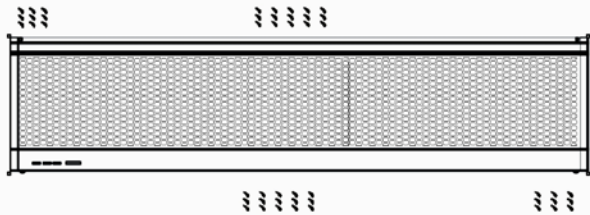
UNIT: mm

MODEL	A	B	C	D	F	G	H	I	J
FM-1209SA3/Y	900	330	440	---	55	90	210	190	110
FM-1212SA3/Y	1200	480		---					
FM-1215SA3/Y	1500	330	840	---					
FM-1218SA3/Y	1800	480		---					
FM-1220SA3/Y	2000	580		---					

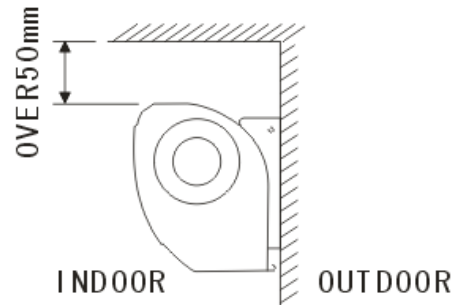
3. INSTALLATION CAUTIONS

Must observe the following when installing air curtains:

3.1 Please install the unit on a sturdy supporting structure to avoid shaking and ensure its security (because the unit running may cause the wall to become loose or shake and make noise).

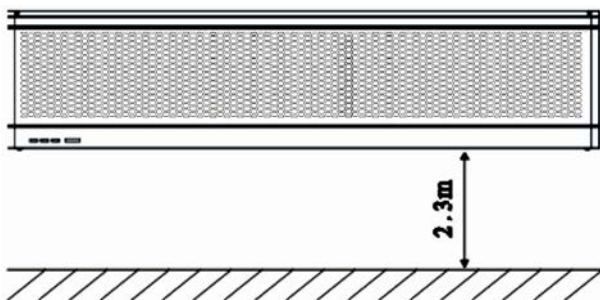


3.2 Please install the unit inside the room.

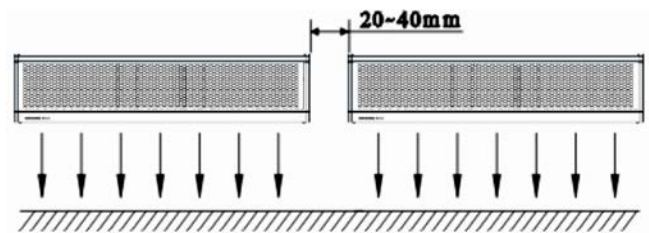


3.3 Don't install the unit too low, no less than 2.3 meters from the ground.

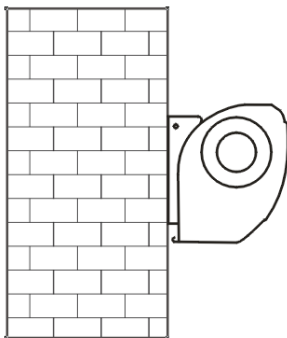
ATENCIÓN : No instale la unidad demasiado bajo, no menos de 2,3 metros del suelo.



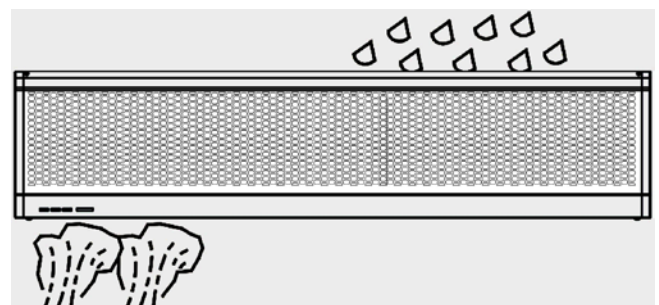
3.4 When the entrance is wider than the unit, it is recommended to install two or more units in parallel. In this case, provide 20-40mm gaps between the units.



3.5 Don't allow gaps between the unit and the wall.



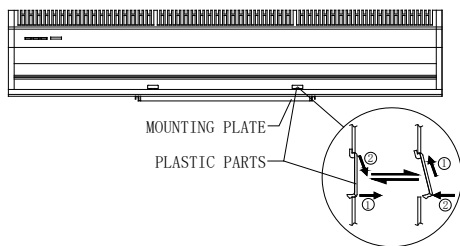
3.6 Don't install the unit at a place where it is splashed by water, exposed to excessive steam, explosive gas or corrosive gas.



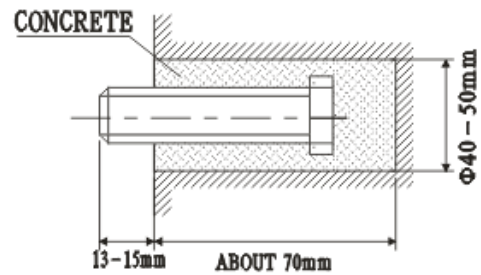
4. INSTALLATION INSTRUCTIONS

A. Installing on the concrete wall:

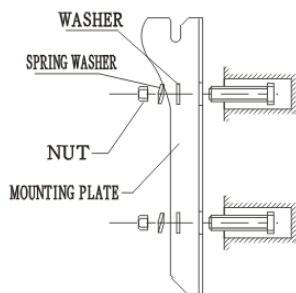
4.1.1 Remove the plastic parts (if the screw is covered by the plastic parts – screw cover) and unscrew the fixing screws to remove the mounting plate from the back of the main body.



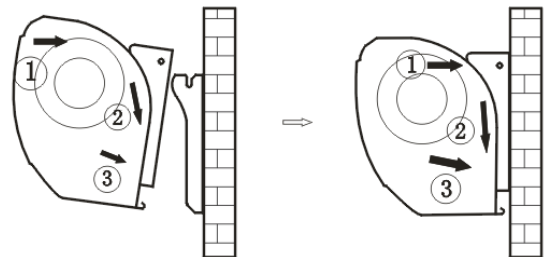
4.1.2 Determine the mounting location with the mounting plate. Secure the bolts in place. (Fill cement into the bolt holes if needed)



4.1.3 Tighten the nuts to secure the mounting plate to the wall after cement setting (use the washers and nuts as the Fig shows).

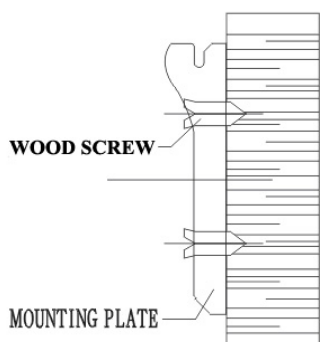


4.1.4 Hang the main body onto the upper end of the mounting plate, and then tighten the fixing screws back to the mounting plate, cover the screws with the plastic parts – screw cover, refer to the Fig in 4.1.1.

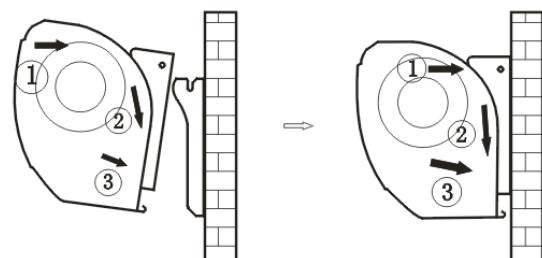


B. Installing on the wooden wall:

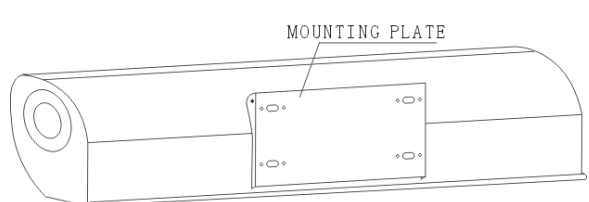
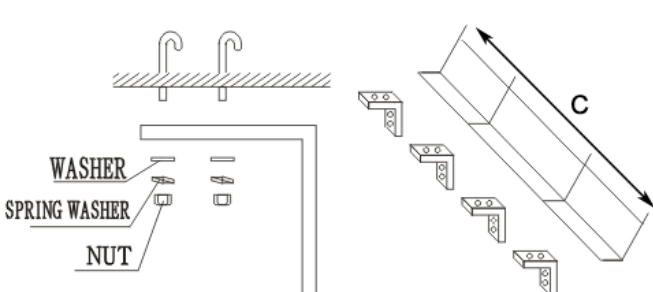
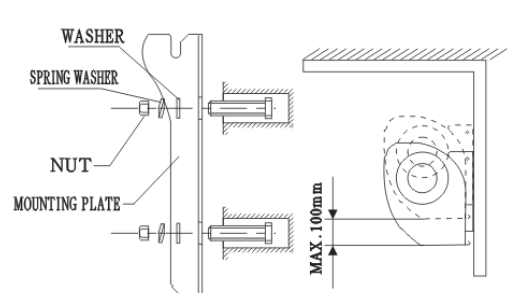
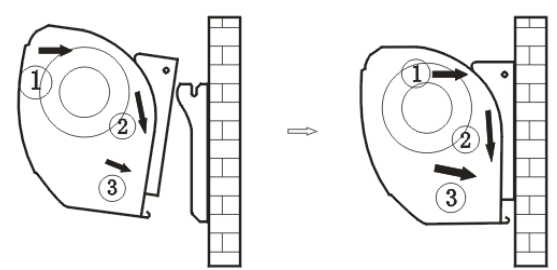
4.2.1 Refer to step 4.1.1 and determine the mounting location with the mounting plate, then securely mount the mounting plate to the wooden wall with tapping screws.



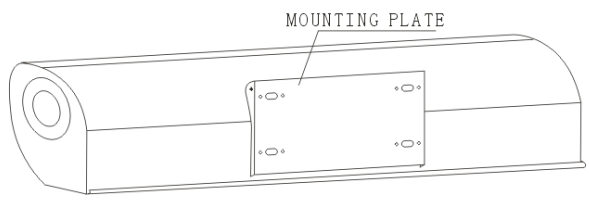
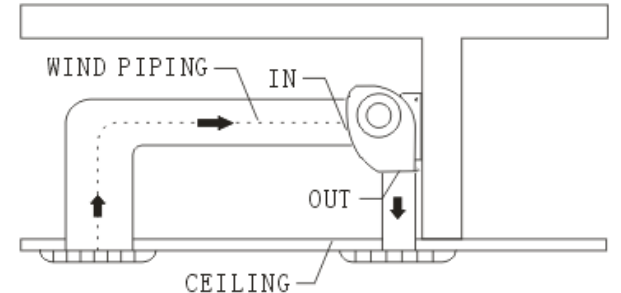
4.2.2 Hang the main body onto the upper end of the mounting plate, and then tighten the fixing screws back to the mounting plate, cover the screws with the plastic parts – screw cover, refer to the Fig in 4.1.1.



C. Installing from the ceiling:

<p>4.3.1 Remove the mounting plate from the main body as per the step 4.1.1</p> 	<p>4.3.2 Securely mount the ceiling brackets (not included) as the Fig shows.</p> 
<p>4.3.3 Fix the mounting plate to the ceiling brackets and tighten it securely as the Fig shows. The position of the mounting plate can be adjusted in vertical direction according to need, but the max distance is 100mm.</p> 	<p>4.3.4 Hang the main body onto the upper end of the mounting plate, and then tighten the fixing screws back to the mounting plate, cover the screws with the plastic parts – screw cover, refer to the Fig in 4.1.1.</p> 

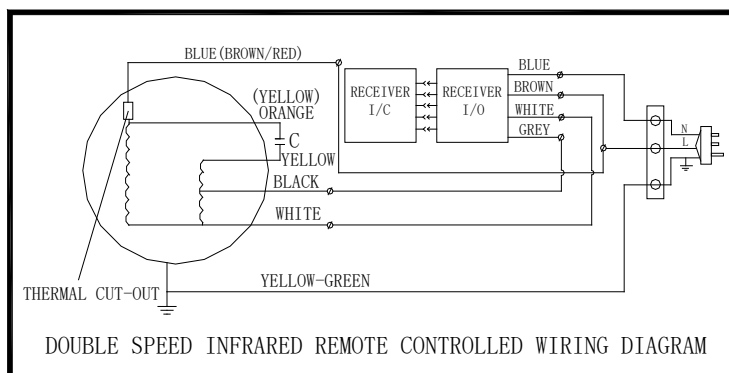
D. Installing above the ceiling

<p>4.4.1 Fix the air curtain as per the procedure for installing on the concrete wall.</p> 	<p>4.4.2 Then pipe as below Fig. Instructs.</p> 
--	--

5. TECHNICAL PARAMETER

Model	Volt. (V~)	Freq (Hz)	Max input power (W)		Max air velocity (m/s)		Air volume (m ³ /h)		Noise level (dB)		Net weight (Kg)
			H	L	H	L	H	L	H	L	
FM-1209SA3/Y	110	60	195	165	11	9	1400	1100	57	55	10.0
FM-1212SA3/Y			240	210			1900	1600	58	56	
FM-1215SA3/Y			280	220			2500	2000	59	57	
FM-1218SA3/Y			330	250			3200	2600	60	58	
FM-1220SA3/Y			380	260			3600	2900	61	59	

6. WIRING DIAGRAM



7. OPERATING INSTRUCTIONS

7.1 Connect power to the unit.

7.2 Press the [on/off] button on the air curtain to turn it on at default high speed or turn it off. Press the button [H] / [L] to select suitable speed, button [L] - Low speed, [H] - High speed. You can also press the [on/off] button on the remote control to turn on the air curtain at default high speed, press it again to switch the unit to low speed, and press again to turn it off.

7.3 Adjust the air deflector to obtain optimum effect.

8. MAINTENANCE AND CLEANING

WARNING:

- A. Any service is to be performed only by qualified personnel who are familiar with local codes and regulations and are experienced with this type of product.**
- B. Always unplug or disconnect the appliance from the power supply before servicing or cleaning the unit.**
- C. Never use petrol, benzene, thinners or any other such chemicals for cleaning the unit.**
- D. Don't allow water or any liquid to enter the motor.**

- 8.1. Use the unit at the rated voltage and frequency indicated on the rating label.
- 8.2. Disconnect power source before unit installation or maintenance service.
- 8.3. Routine maintenance must be done every year.
- 8.4. Plastic parts should be cleaned with mild soap water, thoroughly remove soap film with a clean damp cloth.
- 8.5. Wipe the exterior surfaces of the fan with a moistened cloth with a solution of mild detergent and water.
- 8.6. Dry the case with a soft dry cloth before operating the unit.